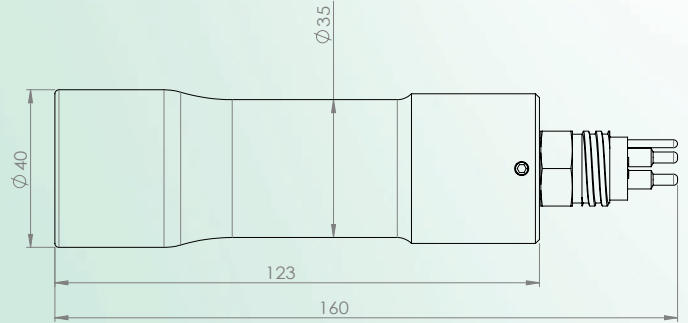


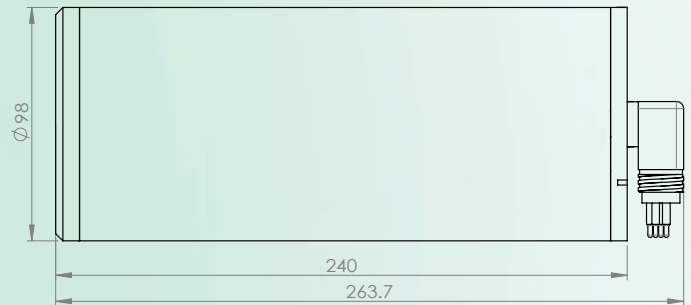
Underwater Camera

SD, AHD, HD, 4K

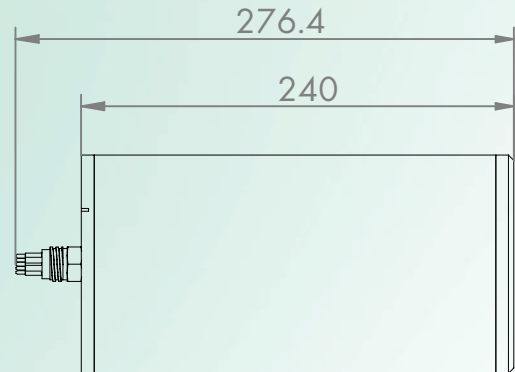
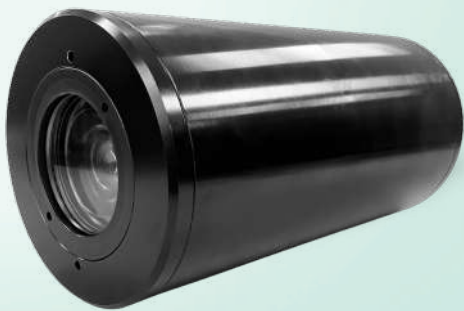
SD Camera (DWCA-SDC) , AHD (DWCA-AHC)



HD Camera (DWCA-HDF, DWCA-HDC, DWCA-HDI)



4K Camera (DWCA-4KF)



Features

- ✓ Instant plug-and-play
- ✓ Depth rating 2,000m
- ✓ Miniature housing & low power consumption
- ✓ Aluminum housing with acrylic window

Applications

- ✓ ROV
- ✓ Diving equipment
- ✓ Underwater survey system
- ✓ Offshore, defense, O&G subsea systems
- ✓ Vessel and winch monitoring



Specification SD, AHD, HD and 4K Camera

※All product descriptions and specifications are subject to be changed without notice.

Camera	SD Camera	AHD Camera	HD Camera			4K Camera
Model	DWCA-SDC	DWCA-AHC	DWCA-HDF	DWCA-HDC	DWCA-HDI	DWCA-4KF
Image						
ELECTRICAL						
Image Sensor	1/3" Super HAD CCD II	1/2.8" CMOS	1/2.8" CMOS	1/2.8" CMOS	1/2.7" CMOS	1/2.5" CMOS
Output Pixels (H × V)	960P (1280 × 960)	Full HD 1080p (1920 × 1080)	Full HD 1080p (1920 × 1080)	Full HD 1080p (1920 × 1080)	Full HD 1080p (1920 × 1080)	QFHD 2160P (3840×2160)
Power Input	10~30 VDC	10~30 VDC	12~30VDC	12~30VDC	12~30 VDC	12~30 VDC
Video Output	Composite 1.0 Vp-p / 75 Ohms (Analog)	Composite 1.0 Vp-p / 75 Ohms (Analog)	Y/CB/CR 4:2:2 via LVDS(Digital)	Y/CB/CR 4:2:2 via LVDS (Digital)	Ethernet (Network)	Y/Cb/Cr 4:2:2 8bits component (Digital)
Signal Format	NTSC/PAL	NTSC/PAL	NTSC/PAL	NTSC/PAL	NTSC/PAL	NTSC/PAL
Video Signal	CVBS	AHD	Fiber	Coaxial	Ethernet	Fiber
S/N Ratio	48 dB	48 dB	50dB	50dB	50dB	50dB
Mini Illumination	0.01 lx	0.01 lx	0.01 lx	0.01 lx	0.08 lx	0.06 lx
Communication	N/A	N/A	VISCA	VISCA	ONVIF Profile	VISCA
MECHANICAL						
Dimension	123 mm (L) / 38 mm (D)	123 mm (L) / 38 mm (D)	186.5mm(L) / 70mm(D)	186.5mm(L) / 70mm(D)	186.5mm(L) / 70mm(D)	274.6mm(L) / 121 mm(D)
Weight in Air	0.29 kg	0.29 kg	0.85 kg	0.85 kg	0.85 kg	3.4 kg
Weight in Water	0.16 kg	0.16 kg	0.83 kg	0.83 kg	0.83 kg	3.38 kg
Standard Housing	Hard Anodized 6061-T6 Aluminum	Hard Anodized 6061-T6 Aluminum	Hard Anodized 6061-T6 Aluminum	Hard Anodized 6061-T6 Aluminum	Hard Anodized 6061-T6 Aluminum	Hard Anodized 6061-T6 Aluminum
Window Material	Acrylic	Acrylic	Acrylic	Acrylic	Acrylic	Acrylic
Connector	MCBH4M	MCBH4M	MCBH6M+MSSBR01M	MCBH6M+CX50BH01M	ETMCBH08MBR	MCBH6M+MSSBR01M
OPTICS						
Optical Zoom	N/A	N/A	30x optical zoom	30x optical zoom	N/A	20x optical zoom
Lens	f = 3.6mm, F2.0	f = 3.6mm, F2.0	f = 4.3 mm to 129.0 mm, F1.6 to F4.7	f = 4.3 mm to 129.0 mm, F1.6 to F4.7	f = 3.6mm, F2.0	f = 4.4 mm to 88mm, F2.0 to F3.8
Angle Of View	72.5°	72.5°	63.7° (wide end) to 2.3° (tele end)	63.7°(wide end) to 2.3°(tele end)	92°	70.2°(wide end) to 4.1°(tele end)
Focus	Fixed	Fixed	Auto / Manual	Auto / Manual	Fixed	Auto / Manual
Digital Zoom	N/A	N/A	12x	12x	N/A	12x
ENVIRONMENTAL						
Depth Rating	2,000 M	2,000 M	2,000 M	2,000 M	2,000 M	2,000 M
Testing Depth	200 Bar	200 Bar	200 Bar	200 Bar	200 Bar	200 Bar
Operation Temp.	-10°C to 50°C (14°F to 122°F)	-10°C to 50°C (14°F to 122°F)	-10 °C to 50 °C (14°F to 122°F)	-10°C to 50°C (14°F to 122°F)	-10°C to 50°C (14°F to 122°F)	-5°C to 50°C (23°F to 122°F)