



# Operator's Manual

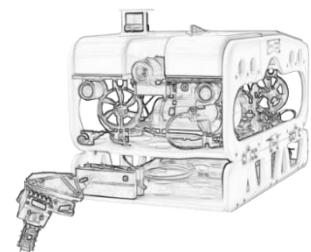
*DWT8537-300V Thruster*

**DWTEK Co., Ltd**

No.22, Dong Ying Rd., East District, Taichung City 401, TAIWAN

T: +886-4-3502-4890 | E: [info@dwtek.com.tw](mailto:info@dwtek.com.tw)

F: +886-4-2211-2890 | W: [www.dwtekmarine.com](http://www.dwtekmarine.com)





# Table of Contents

1	Introduction .....	5
1.1	General.....	5
1.2	Precautions.....	6
2	Specifications .....	7
2.1	Thruster.....	7
2.2	Connector.....	9
2.2.1	General.....	9
2.2.2	Indications for Replacement .....	9
2.2.3	Installation Procedures.....	9
3	Installation .....	10
3.1	Installation Guide.....	10
3.2	Pin Assignment .....	10
3.3	Maintenance and Removal.....	12
4	Trouble shooting.....	13
4.1	Thruster Trouble shooting.....	13
4.2	Detection Procedure.....	13
5	Maintenance .....	14
5.1	Nozzle .....	14
5.1.1	General.....	14
5.1.2	Indications for Replacement .....	14
5.1.3	Removal the Nozzle from Thruster ` .....	14
5.1.4	Installation Procedures.....	14
5.2	Propeller Assembly .....	15
5.2.1	General.....	15
5.2.2	Indications for Replacement .....	15
5.2.3	Removal Procedures .....	15
5.2.4	Install Procedures.....	15
5.3	Gear Shaft Seal Assy.....	16
5.3.1	General.....	16
6	Appendix .....	17
6.1	Vacuum and Pressure Relief .....	17
6.2	Spares and Tools .....	18
6.3	Exploded View.....	19



## List of Figures

Figure 1 - DWT8537 Thruster .....	7
Figure 2 - DWT8537 Thruster performance curve .....	8
Figure 3 - Grease user guide .....	9
Figure 4 - DWT8537 Thruster Pin Assignment .....	11
Figure 5 - DWT8537 Thruster (2B0040005-00002) .....	19
Figure 6 - End Cap Assy (2C004-00137) .....	20
Figure 7 - Reducer Assembly (2C004-00091) .....	21



## List of Tables

Table 1 - Precautions.....	6
Table 2 - DWT8537 Specification .....	7
Table 3 – DWT8537 Thruster Electrical.....	10
Table 4 - Pin Assignment .....	10
Table 5 - Spares list.....	18
Table 6 - Tools list.....	18



# 1 Introduction








## 1.1 General

DWTEK releases new range of brushless DC thrusters with the outstanding characters of low-weight, powerful thrust and integral electronic components. The engineering capabilities of DWTEK in subsea application drive our passion to innovate high reliable design and components to our thrusters.

**DWT8537** thruster is a heavy-duty electric underwater thruster. The design is in purpose of high efficiency and low noise stealth; meanwhile it is suitable the propulsion system of any underwater robots or high-end surface utility vehicles.

## 1.2 Precautions

Table 1 - Precautions

	<p>The “DANGER” symbol indicates a hazardous situation which, if not avoided, will result in death or serious injury. Carefully read the message that follows to prevent serious injury or death.</p>
	<p>The “WARNING” symbol indicates a hazardous situation which, if not avoided, could result in death or serious injury. Carefully read the message that follows to prevent serious injury or death.</p>
	<p>The “CAUTION” symbol indicates a hazardous situation which, if not avoided, could result in minor or moderate injury, or equipment damage. Carefully read the message that follows to prevent minor or moderate injury.</p>
	<p>The “NOTICE” symbol alerts to a situation that is not related to personal injury but may cause equipment damage</p>
	<p>Do not put hands near it when machine operating.</p>
	<p>Do not wear electrically conductive jewelry, clothing, or other items while working on the electrical system.</p>
	<p>An electric shock could be fatal. Ensure power to the Thruster is OFF” before opening electrical panels.</p>

## 2 Specifications

### 2.1 Thruster

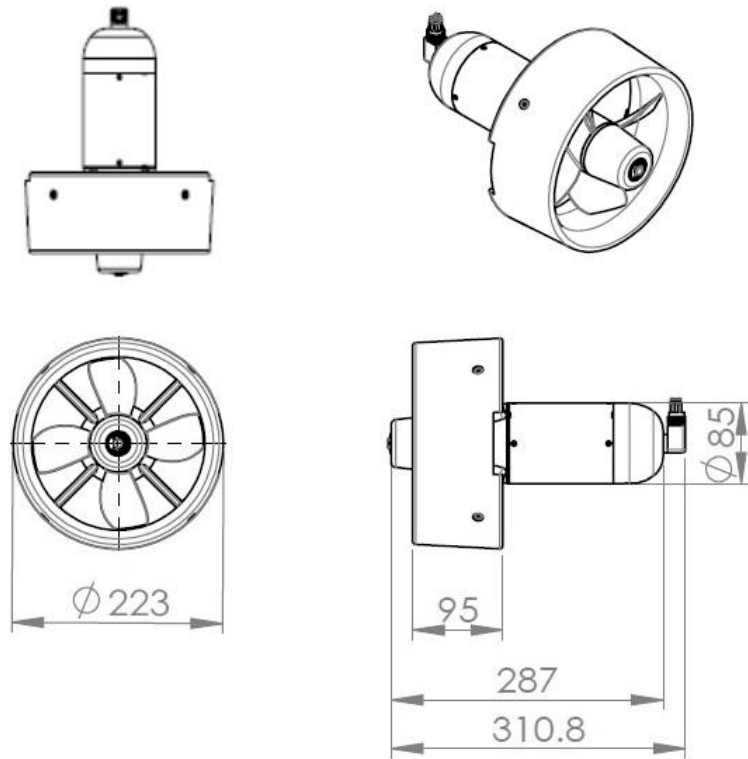
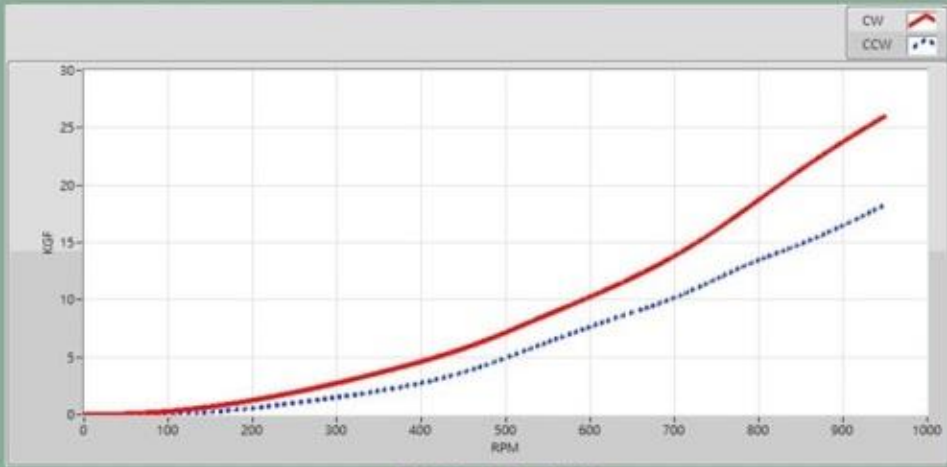


Figure 1 - DWT8537 Thruster

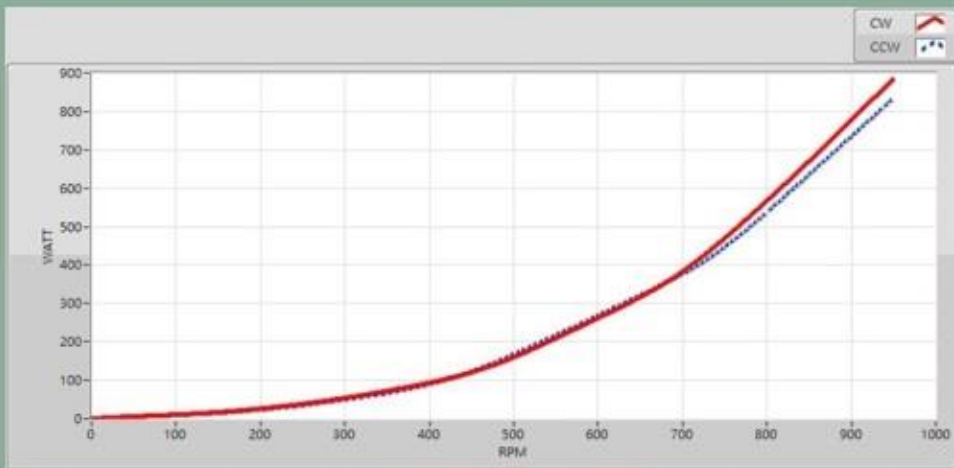
Table 2 - DWT8537 Specification

<b>DWT8537</b>	
<b>MECHANICAL</b>	
Weight in air	5.5kg
Weight in water	5kg
Standard Housing	AL 6061-T6
Propeller	Engineering Plastic
Nozzle	Nylon
<b>ELECTRICAL</b>	
Operation Voltage	300 VDC
Speed Control	$\pm 5V$
Drive	Gear Reducer
Watt	850W
Protection	Over-Temp / Over Current / Under Voltage / Abnormal Operation
<b>PERFORMANCE</b>	
Thrust	CW: 25 kgf / CCW: 18.5 kgf

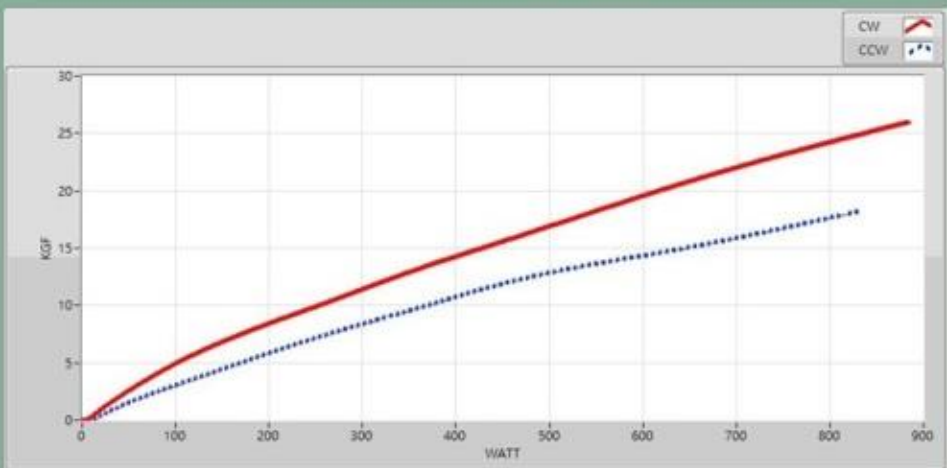
## DWT8537 THRUST PERFORMANCE CURVES



RPM VS KGF



RPM VS WATT



WATT VS KGF

Figure 2 - DWT8537 Thruster performance curve



## 2.2 Connector

### 2.2.1 General

Part No.	2GW100708M-00001SS
Title	Mini Bulkhead Right Angle Connector
Service Check	Regularly

### 2.2.2 Indications for Replacement

Replace if connector is damaged, deformed or no longer watertight.

### 2.2.3 Installation Procedures

#### For greasing and mating above water

1. Connectors must be greased with Molykote 44 Medium before each mating.
2. A layer of grease corresponding to minimum 1/3 of socket depth should be applied to the female connector.
3. The inner edge of all sockets should be completely covered, and a thin transparent layer of grease should be left visible on the face of the connector.
4. After greasing, fully mate the male and female connector in order to secure optimal distribution of grease on pins and in sockets.
5. To confirm that grease has been sufficiently applied, de-mate and check for grease on each male pin, then re-mate the connector.

**It is mandatory to apply GREASE before mating.**

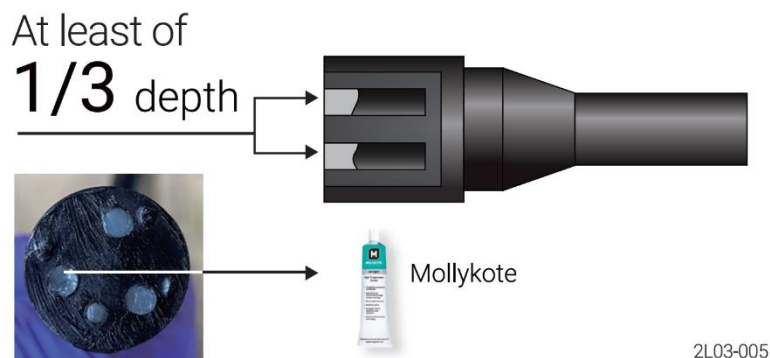


Figure 3 - Grease user guide

#### For Cleaning

1. General cleaning and removal of any accumulated sand or mud on a connector should be performed with spray based contact cleaner, Isopropyl Alcohol.
2. New grease must be applied again before mating.



**Warning!!**

**Only the qualified specialist is allowed to proceed the connector replacement.**

### 3 Installation

#### 3.1 Installation Guide

Table 3 – DWT8537 Thruster Electrical

	Nominal	Max	Min
Input Voltage	300 VDC	315 VDC	285 VDC
Input Current	2.84A	2.70A	3.00A
Instrument Power Voltage	15V	16.5V	13.5V
Instrument Power Current	0.12A	0.11A	0.14A
Analog Voltage	+/- 5V	+/- 6V	-

Procedure of electronic Connection:

Step1. Connect Pin3 to +300 VDC

Step2. Connect Pin1 to HGnd

Step3. Connect Pin5 to +/- 5V Signal

Step4. Connect Pin7 to +/- 5V ISO GND

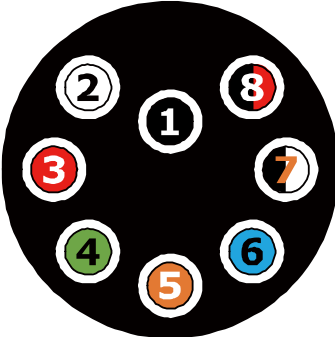

Step5. Connect Pin4 to +15 VDC (instrument)

Step6. Connect Pin1 to HGnd (instrument 15 VDC)

Step7. Connect Pin2 to Protection Earth point where available

#### 3.2 Pin Assignment

Table 4 - Pin Assignment

Female Inline Top View	Pin Assignment	Male Bulkhead Top View
	1 : HGnd 2 : PE 3 : +300 VDC 4 : +15 VDC 5 : +/- 5V 6 : N/A 7 : ISO GND 8 : N/A	

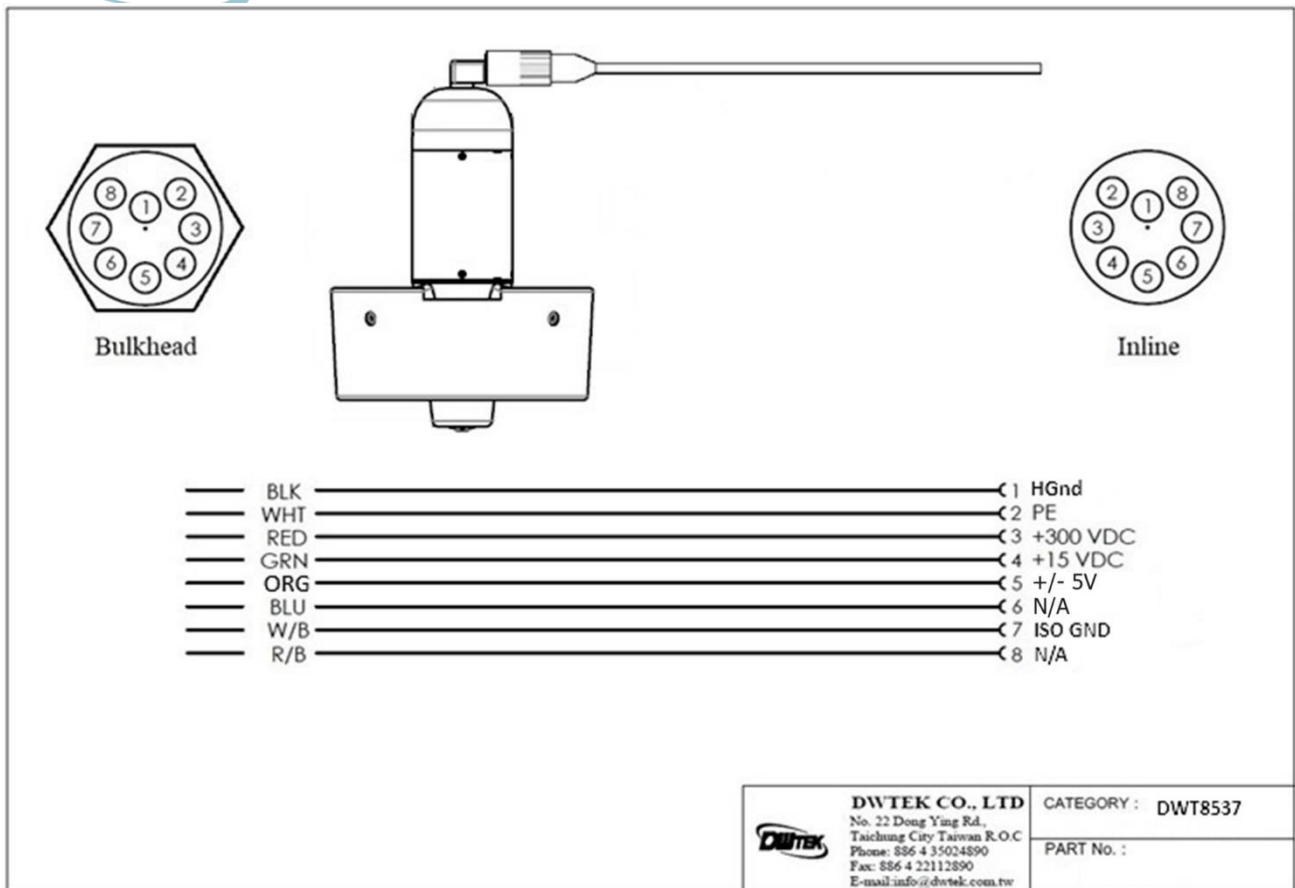


Figure 4 - DWT8537 Thruster Pin Assignment

Make sure all the connections are correct, and follow the instruction listed as below to power the thruster.

1. Connect Pin2 to the Protection Earth point.
2. Deliver +15 VDC to Pin4 and Pin1
3. Deliver +/- 5V control signal to Pin5 and Pin7
4. Make sure +/- 5V control signal is set within +/- 0.2 VDC
5. Deliver +300 VDC to Pin3 and Pin1
6. Adjust +/- 5V control signal to Pin5 and Pin7
7. Thruster should turn CW and CCW based on the apply voltage polarity

**Note!!**



1. Control signal is set as 0 RPM within +/- 0.2 VDC.
2. Always make sure to set the control signal within +/- 0.2 VDC before powering on 300Vdc to the thruster. Failure to do so would result in the thruster not being activated because of the safety startup procedure.
3. The WATT of DWT8537 at the maximum speed is about 850W±2%.
4. After the thruster powers on, DO NOT REMOVE the control +/- 5V, otherwise the speed will be abnormal.



### 3.3 Maintenance and Removal

To remove the thruster, please follow below steps.

1. Disconnect the cable.
2. Install the protection dummy on the bulkhead connector

THRUSTER FIELD & DEPOT REPAIR PROCEDURES LISTED BELOW SHALL BE CARED.



**Warning!!**

**Make sure to switch off thruster power and auto-functions once the system is on the surface.**



**Caution!!**

**It recommends considering the replacement of the O-rings and resealing DWT8537 thruster as annual maintenance. DWTEK offers comprehensive annual inspection and maintenance service to guarantee reliability and performance.**



**Caution!!**

**The thruster is designed as a simple maintenance unit. After each dive, please always wash with fresh water.**

## 4 Trouble shooting

### 4.1 Thruster Trouble shooting

If thruster performed:

- I. RPM unsteady.
- II. Vibration.

please proceed the initial detection procedure which mainly caused by two type of cases as below:

- I. Power output.
- II. Consumption parts and determine the replacement.

### 4.2 Detection Procedure

1. Make sure the propeller is free of rotation and under safety and well protection.
2. Apply +15 VDC to Pin4 and HGnd to Pin1. It recommends using power supply with the current consumption indicator. The nominal current consumption is 0.12Amp +/- 0.02.  
If current consumption is out of the above range without loading, the control PCB need to be examined and replaced.
3. Measure the analog input +/- 5V with multimeter and make sure +/- 5V is connected to Pin5 and Pin7 ISO GND.
4. Apply input voltage +300 VDC to Pin3 and HGnd to Pin1.
5. Make sure +/- 5V signal is within +/- 0.2V before delivering +300 VDC to thruster.
6. Use a current indicator to wire on the power supply in series before delivering +300 VDC.
7. Make sure current output is less than 0.1A when control signal is 0V.



#### **Caution!!**

**If the current goes higher with short circuit, the power PCB need to be examined and replaced, please do not hesitate to contact DWTEK Co., Ltd.**



## 5 Maintenance

### 5.1 Nozzle

#### 5.1.1 General

Part No.	2D004-00152
Title	Nozzle
Service Check	Replace if damaged
Tool	4mm Allen Key

The nozzle is designed to improve the performance in water. Without the nozzle, there would be a drastic thrust reduction and control failure. Thruster can be tested in air but it recommends contacting DWTEK if doing enforced dummy load in the shaft of thruster.

The nozzle consists of a cast Nylon material that is high impact-resistant.

#### 5.1.2 Indications for Replacement

Please replace the nozzle if it damages to the point that it fouls the propeller.

#### 5.1.3 Removal the Nozzle from Thruster

Remove (4) Socket Head CAP Screw M5x80mm (P/N: 2P001-D122M5-08080) with 4mm Allen Key.

#### 5.1.4 Installation Procedures

- 1.Put (4) Socket Head CAP Screw M5x80mm (P/N: 2P001-D122M5-08080) into the Nozzle screw hole.
- 2.Secure screws with 4mm Allen Key (4.2NM).



#### **NOTE!!**

**If you have any further queries, please do not hesitate to contact DWTEK Co., Ltd.**

## 5.2 Propeller Assembly

### 5.2.1 General

Part No. :	2C004-00058
Title :	Rotating Propeller
Service Check :	Before and after each dive
Tool	E-type removal circlip pliers

DWT8537 thruster uses Vectus propeller that has outstanding thrust performance in operation. The thrust differences between forward and reverse thruster are within 10%.

### 5.2.2 Indications for Replacement

Replace it if significant wear or damage is apparent on the blades of the propeller.

### 5.2.3 Removal Procedures

1. Remove 8mm E-ring (P/N: 2P001-AE228) with E-type removal circlip pliers and Stopper Washer (P/N: 2D004-00003) 、 Disc Spring (P/N: 2P006-JTEM-10).
2. Remove Rotating Propeller (P/N: 2C004-00058) from the shaft.

### 5.2.4 Install Procedures

1. Install Rotating Propeller (P/N: 2C004-00058) into the shaft.
2. Install E-ring (P/N: 2P001-AE228) and Stopper Washer (P/N: 2D004-00003) 、 Disc Spring (P/N: 2P006-JTEM-10) with E-type removal circlip pliers.



#### **Warning!!**

**Operator is only allowed to remove propeller assembly under power off condition.**



#### **NOTE!!**

**If you have any further queries, please do not hesitate to contact DWTEK Co., Ltd.**



## 5.3 Gear Shaft Seal Assy

### 5.3.1 General

Part No. : 2C004-00091  
Title : Reducer Assembly  
Service Check : Before and after each dive

Operator needs to check the sealing condition before and after each dive. If any damage or leaking are detected, please do not hesitate to contact DWTEK Co., Ltd



#### **NOTE!!**

**If you have any further queries, please do not hesitate to contact DWTEK Co., Ltd**



## 6 Appendix

### 6.1 Vacuum and Pressure Relief

All electronic components could generate heat and prohibit system operation with a vacuum condition. Pressure relief port can be used as a vacuum port for testing purpose.

Recommended vacuum test on the pod is -80kPa for a period of 30 to 60 minutes after disassemble and re-assembly. It should be released once the testing is complete. Filling in Nitrogen gas from the Nitrogen bottle with an adaptor would take out the moisture to prevent concentration.

#### **Warning!!**



- 1. Make sure that this process was carried out in a well-organized place.**
- 2. Check and clean the O-rings on pressure relief valve before installation. If they are damaged, please replace it with new one, and greased with Molykote 44 Medium.**



## 6.2 Spares and Tools

Table 5 - Spares list

Item No.	Part No.	Description	Qty
1	2D004-00158	Pressure relief valve	1pcs
2	2D004-00003	Stopper Washer	1pcs
3	2D004-00007	Support Bearing	1pcs
4	2P001-D4N0M5-0806	M5xP0.8x6 Socket Grub Screw	4pcs
5	2P001-AE228	E-ring	1pcs
6	2P002-SOR-AS149N70	AS-149 O-ring	1pcs
7	2P002-SOR-AS012N70	AS-012 O-ring	1pcs
8	2P006-JTEM-10	Disc Spring	1pcs

Table 6 - Tools list

Item No.	Part No.	Description	Qty
1	2P001-FLU5M4	M4 Allen Key	1pcs

### 6.3 Exploded View

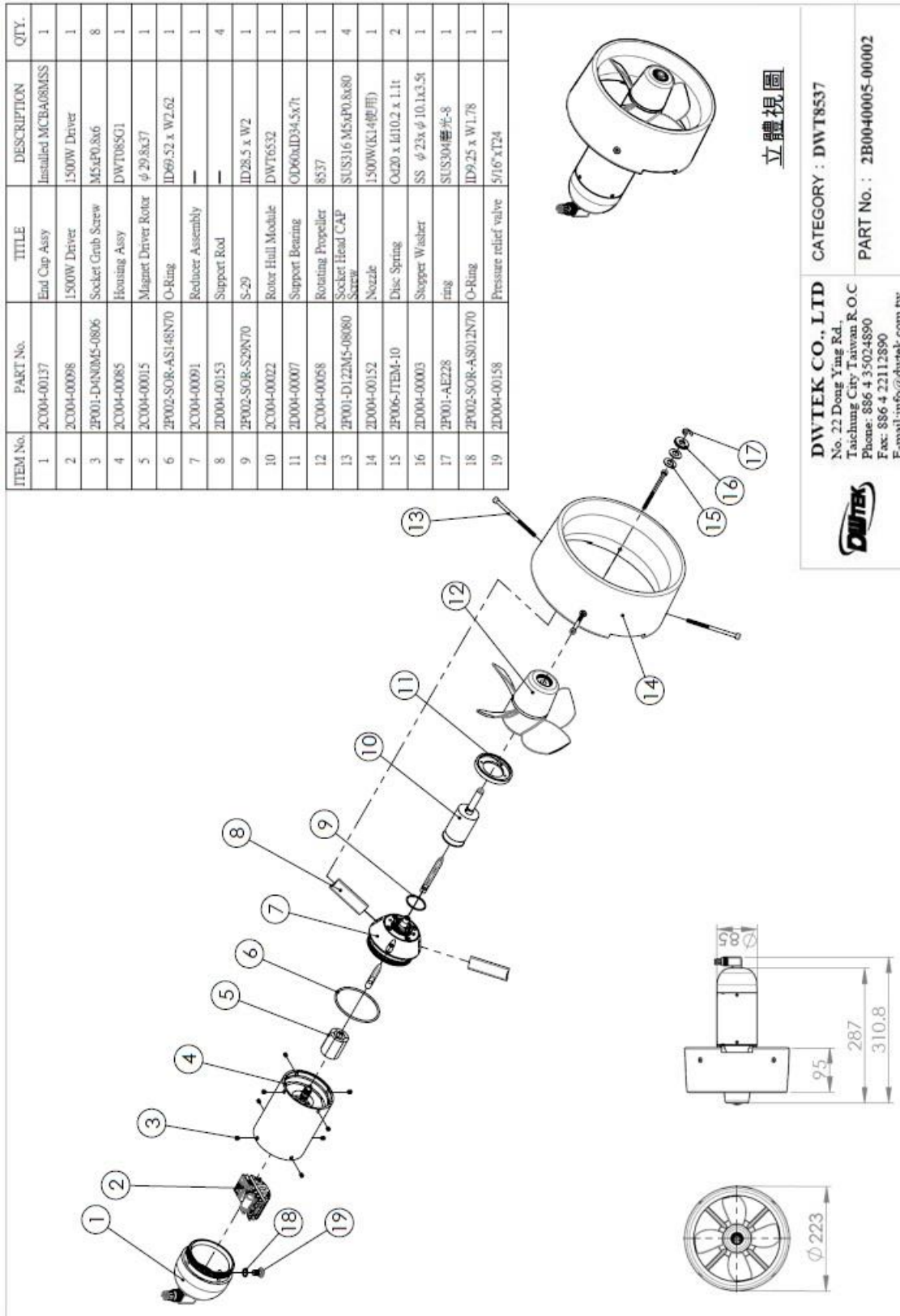
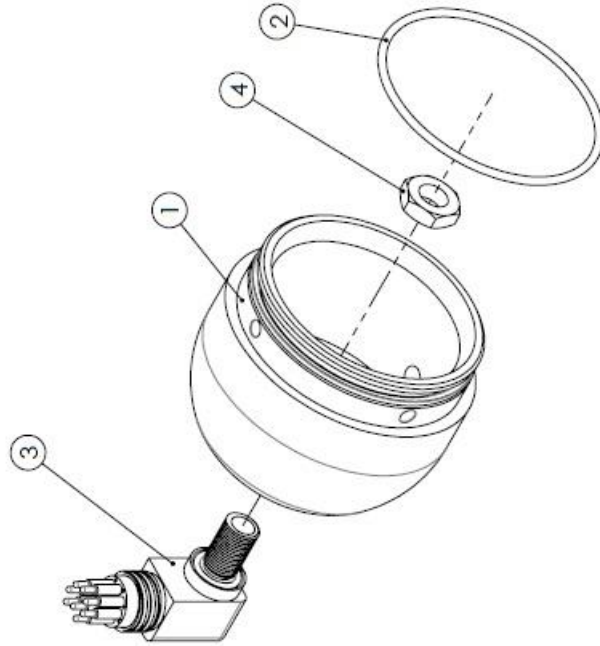


Figure 5 - DWT8537 Thruster (2B0040005-00002)

ITEM No.	PART No.	TITLE	DESCRIPTION	QTY.
1	2D004-00177	End Cap	—	1
2	2P002-SOR-AS149N70	O-Ring	ID71.12 x W2.62	1
3	2GW100708M-00001SS	Mini Bulkhead Right Angle Connector	Male 8 Pin	1
4	2P001-N122U716A-T20	Hex Nut	SUS304 7/16"-T20	1



立體視圖

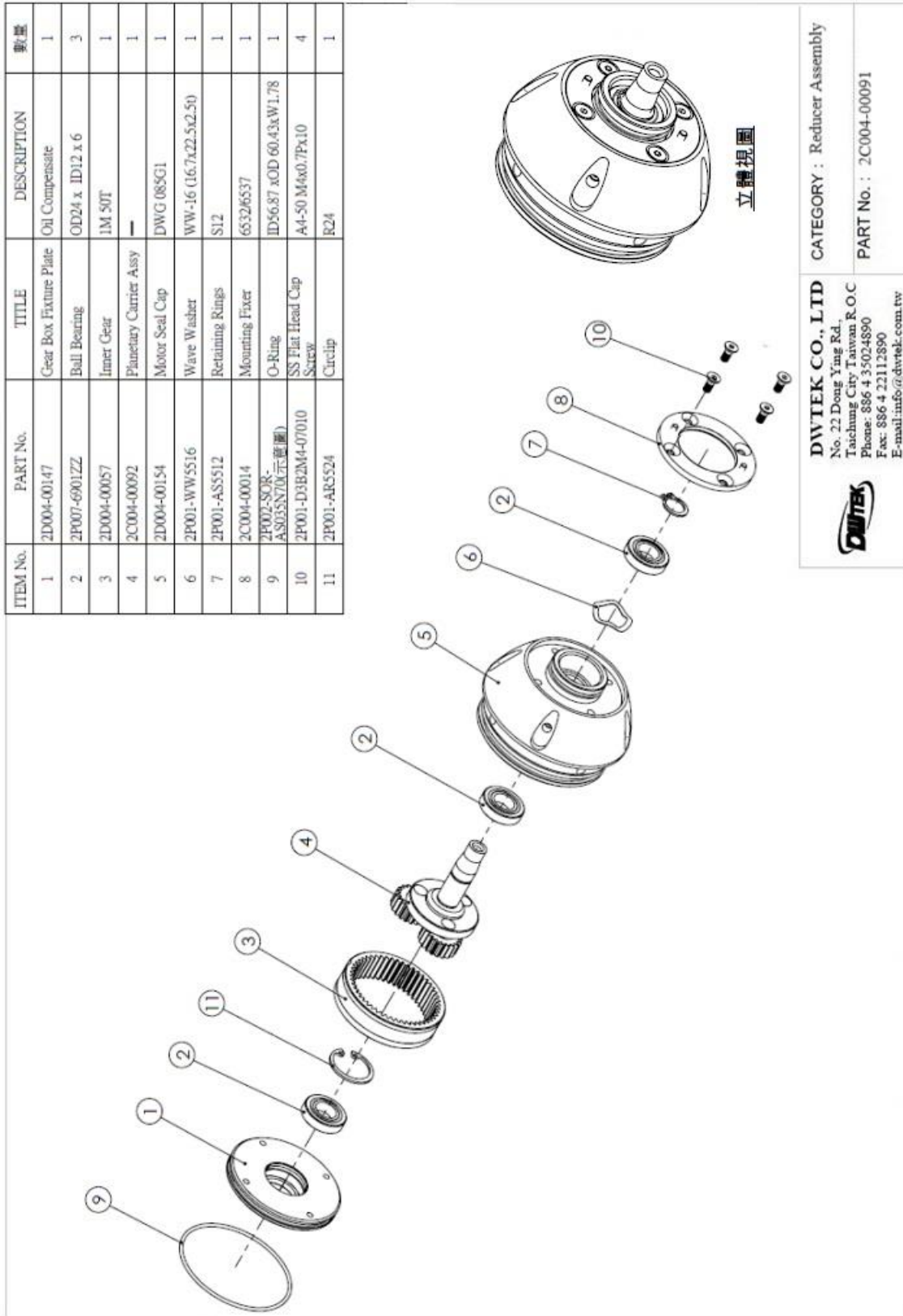
  
**DWTEK CO., LTD**  
 No. 22 Dong Ying Rd.,  
 Taichung City Taiwan R.O.C  
 Phone: 886 4 35024890  
 Fax: 886 4 22112890  
 E-mail: info@dwtek.com.tw

CATEGORY : End Cap Assy

PART No. : 2C004-00137

V1.0

Figure 6 - End Cap Assy (2C004-00137)



**DWTEK CO., LTD**  
 No. 22 Dong Ying Rd.,  
 Taichung City Taiwan R.O.C  
 Phone: 886 4 35024890  
 Fax: 886 4 22112890  
 E-mail: info@dwtek.com.tw

**DWTEK**

CATEGORY : Reducer Assembly  
 PART No. : 2C004-00091

Figure 7 - Reducer Assembly (2C004-00091)



The information contained in this document is subject to be modified and/or supplemented from time to time by DWTEK Co., Ltd without prior notice.

DWTEK Co., Ltd shall not be liable for any loss, errors or damage in connection with information in this document.

Copyright © 2023 DWTEK Co., Ltd. All rights reserved.