



# Operator's Manual

*DWT6532-48V Thruster*

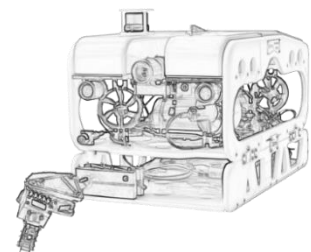
2T01-00027 2405

**DWTEK Co., Ltd**

No.22, Dong Ying Rd., East District, Taichung City 401, TAIWAN

T: +886-4-3502-4890 | E: [info@dwtek.com.tw](mailto:info@dwtek.com.tw)

F: +886-4-2211-2890 | W: [www.dwtekmarine.com](http://www.dwtekmarine.com)





### Revision information

Issue	Revisions	Date	Revised	Approver
1	First edition	2024/5/30	LIAO YU TSO	Mike Chen



# Table of Contents

<b>1</b>	<b>Introduction .....</b>	<b>6</b>
1.1	General.....	6
1.2	Precautions .....	7
<b>2</b>	<b>Specifications.....</b>	<b>8</b>
2.1	Thruster .....	8
2.2	Connector.....	10
2.2.1	General.....	10
2.2.2	Indications for Replacement .....	10
2.2.3	Installation Procedures.....	10
<b>3</b>	<b>Installation.....</b>	<b>11</b>
3.1	Installation Guide.....	11
3.2	Pin Assignment .....	11
3.3	Maintenance and Removal.....	13
<b>4</b>	<b>Trouble shooting .....</b>	<b>14</b>
4.1	Thruster Trouble shooting .....	14
4.2	Detection Procedure.....	14
<b>5</b>	<b>Maintenance.....</b>	<b>15</b>
5.1	Nozzle .....	15
5.1.1	General.....	15
5.1.2	Indications for Replacement .....	15
5.1.3	Removal the Nozzle from Thruster .....	15
5.1.4	Installation Procedures.....	15
5.2	Propeller Assembly .....	16
5.2.1	General.....	16
5.2.2	Indications for Replacement .....	16
5.2.3	Removal Procedures .....	16
5.2.4	Install Procedures .....	16
5.3	Support Bearing .....	18
5.3.1	General.....	18
5.3.2	Indications for Replacement .....	18
5.3.3	Removal Procedures .....	18
5.3.4	Install Procedures .....	18
<b>6</b>	<b>Appendix.....</b>	<b>19</b>
6.1	Vacuum and Pressure Relief .....	19
6.2	Spares and Tools.....	20
6.3	Exploded View.....	21



## List of Figures

Figure 1 - DWT6532 Thruster .....	8
Figure 2 - DWT6532 Thruster Performance Curve .....	9
Figure 3 - Grease User Guide .....	10
Figure 4 - DWT6532 Thruster Pin Assignment .....	12
Figure 5 - Correct Fitting Type .....	17
Figure 6 - DWT6532 Thruster (2B0040001-00001) .....	21
Figure 7 - Rotating Propeller (2C004-00002).....	22
Figure 8 - Thruster Motor Assy (2C004-00008).....	23



## List of Tables

Table 1 - Precautions.....	7
Table 2 - DWT6532 Specification .....	8
Table 3 - DWT 6532 Thruster Electrical.....	11
Table 4 - Pin Assignment .....	11
Table 5 - Spares list.....	20
Table 6 - Tools list.....	20



# 1 Introduction








## 1.1 General

DWTEK releases new range of brushless DC thrusters with the outstanding characters of low-weight, powerful thrust and integral electronic components. The engineering capabilities of DWTEK in subsea application drive our passion to innovate high reliable design and components to our thrusters.

**DWT6532** thruster is a heavy-duty electric underwater thruster. The design is in purpose of high efficiency and low noise stealth; meanwhile it is suitable the propulsion system of any underwater robots or high-end surface utility vehicles.

## 1.2 Precautions

Table 1 - Precautions

	<p>The “DANGER” symbol indicates a hazardous situation which, if not avoided, will result in death or serious injury. Carefully read the message that follows to prevent serious injury or death.</p>
	<p>The “WARNING” symbol indicates a hazardous situation which, if not avoided, could result in death or serious injury. Carefully read the message that follows to prevent serious injury or death.</p>
	<p>The “CAUTION” symbol indicates a hazardous situation which, if not avoided, could result in minor or moderate injury, or equipment damage. Carefully read the message that follows to prevent minor or moderate injury.</p>
	<p>The “NOTICE” symbol alerts to a situation that is not related to personal injury but may cause equipment damage</p>
	<p>Do not put hands near it when machine operating.</p>
	<p>Do not wear electrically conductive jewelry, clothing, or other items while working on the electrical system.</p>
	<p>An electric shock could be fatal. Ensure power to the Thruster is OFF” before opening electrical panels.</p>

## 2 Specifications

### 2.1 Thruster

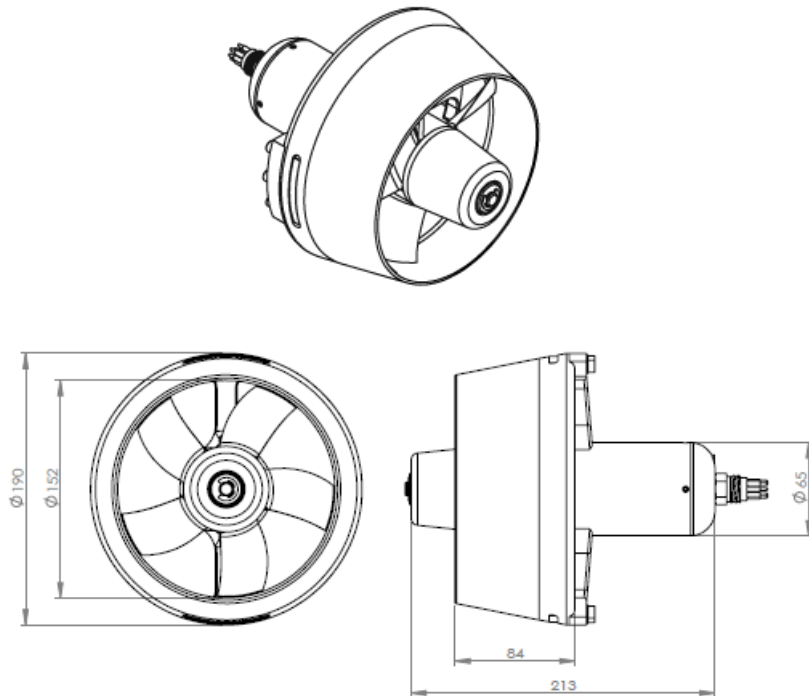


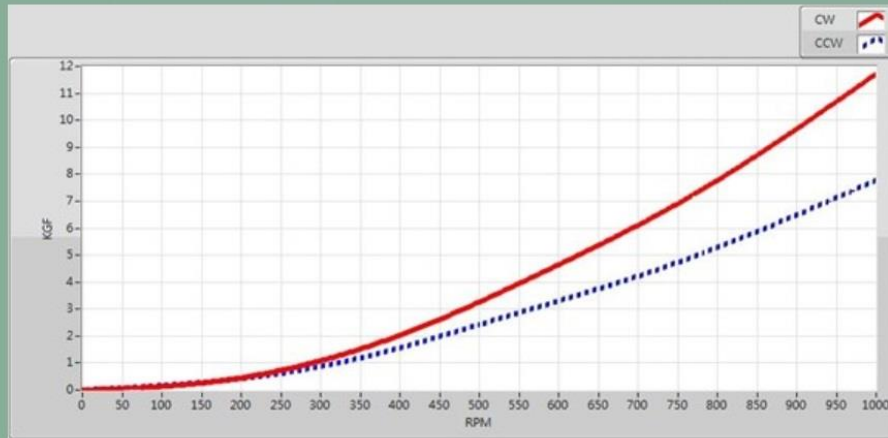
Figure 1 - DWT6532 Thruster

Table 2 - DWT6532 Specification

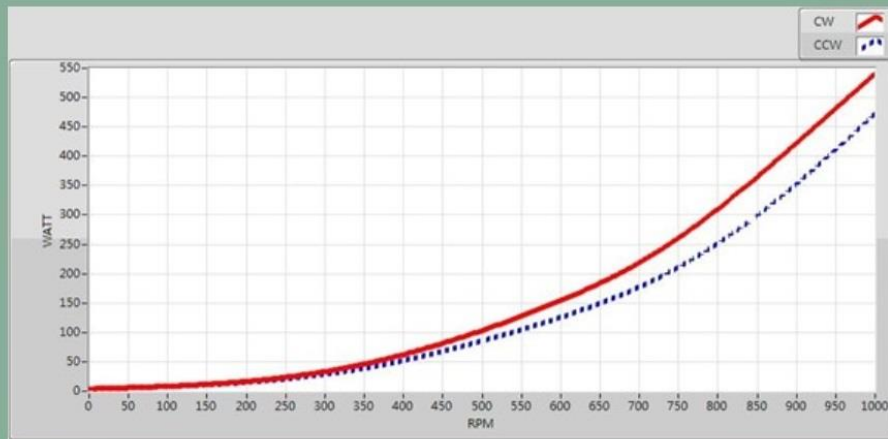
<b>DWT6532</b>	
<b>MECHANICAL</b>	
Weight in air	2.8 kg
Weight in water	1.5 kg
Standard Housing	AL 6061-T6
Propeller	Stainless
Nozzle	Nylon
<b>ELECTRICAL</b>	
Operation Voltage	48VDC
Speed Control	±5V
Drive	Magnetically Coupling
Watt	500W
Protection	Over-Temp / Over Current / Under Voltage / Abnormal Operation
<b>PERFORMANCE</b>	
Thrust	CW: 11 kgf / CCW: 6 kgf



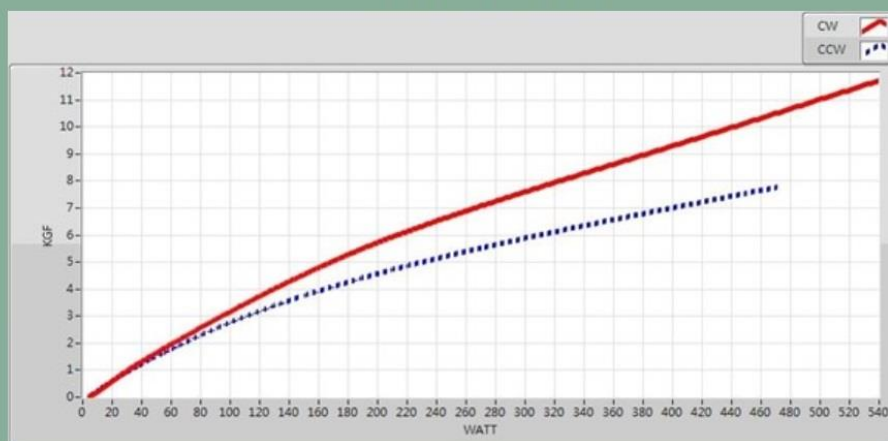
## DWT6532 48V THRUST PERFORMANCE CURVES



RPM VS KGF



RPM VS WATT



WATT VS KGF

Figure 2 - DWT6532 Thruster Performance Curve

## 2.2 Connector

### 2.2.1 General

Part No.	2GW100608M-00001
Title	Mini Bulkhead Connector Male 8 Pin
Service Check	Regularly

### 2.2.2 Indications for Replacement

Replace if connector is damaged, deformed or no longer watertight.

### 2.2.3 Installation Procedures

#### For greasing and mating above water

1. Connectors must be greased with Molykote 44 Medium before each mating.
2. A layer of grease corresponding to minimum 1/3 of socket depth should be applied to the female connector.
3. The inner edge of all sockets should be completely covered, and a thin transparent layer of grease should be left visible on the face of the connector.
4. After greasing, fully mate the male and female connector in order to secure optimal distribution of grease on pins and in sockets.
5. To confirm that grease has been sufficiently applied, de-mate and check for grease on each male pin, then re-mate the connector.

**It is mandatory to apply GREASE before mating.**

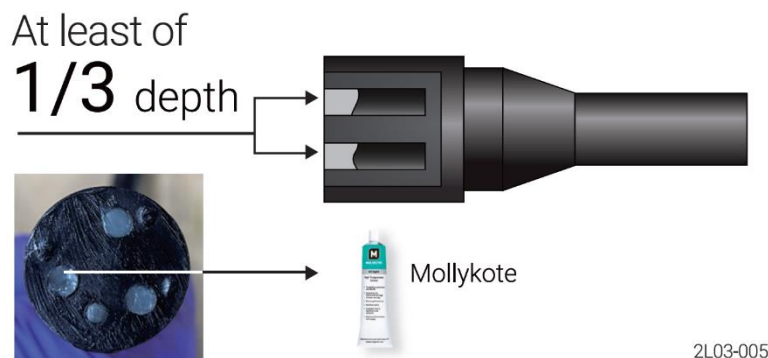


Figure 3 - Grease User Guide

#### For Cleaning

1. General cleaning and removal of any accumulated sand or mud on a connector should be performed with spray based contact cleaner, Isopropyl Alcohol.
2. New grease must be applied again before mating.



**Warning!!**

**Only the qualified specialist is allowed to proceed the connector replacement.**

### 3 Installation

#### 3.1 Installation Guide

Table 3 - DWT 6532 Thruster Electrical

	Nominal	Max	Min
Input Voltage	48 VDC	52 VDC	44 VDC
Input Current	10.42A	9.62A	11.38A

Procedure of electronic Connection:

Step1. Connect Pin3&Pin4 to +48 VDC

Step2. Connect Pin1&Pin2 to GND

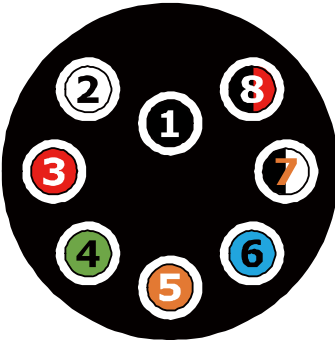

Step3. Connect Pin5 to +/-5V Signal

Step4. Connect Pin7 to +/-5V ISO GND

Step5. Connect Pin8 to Protection Earth point where available

#### 3.2 Pin Assignment

Table 4 - Pin Assignment

Female Inline Top View	Pin Assignment	Male Bulkhead Top View
	1 : GND 2 : GND 3 : +48 VDC 4 : +48 VDC 5 : +/- 5V 6 : N/A 7 : ISO GND 8 : PE	

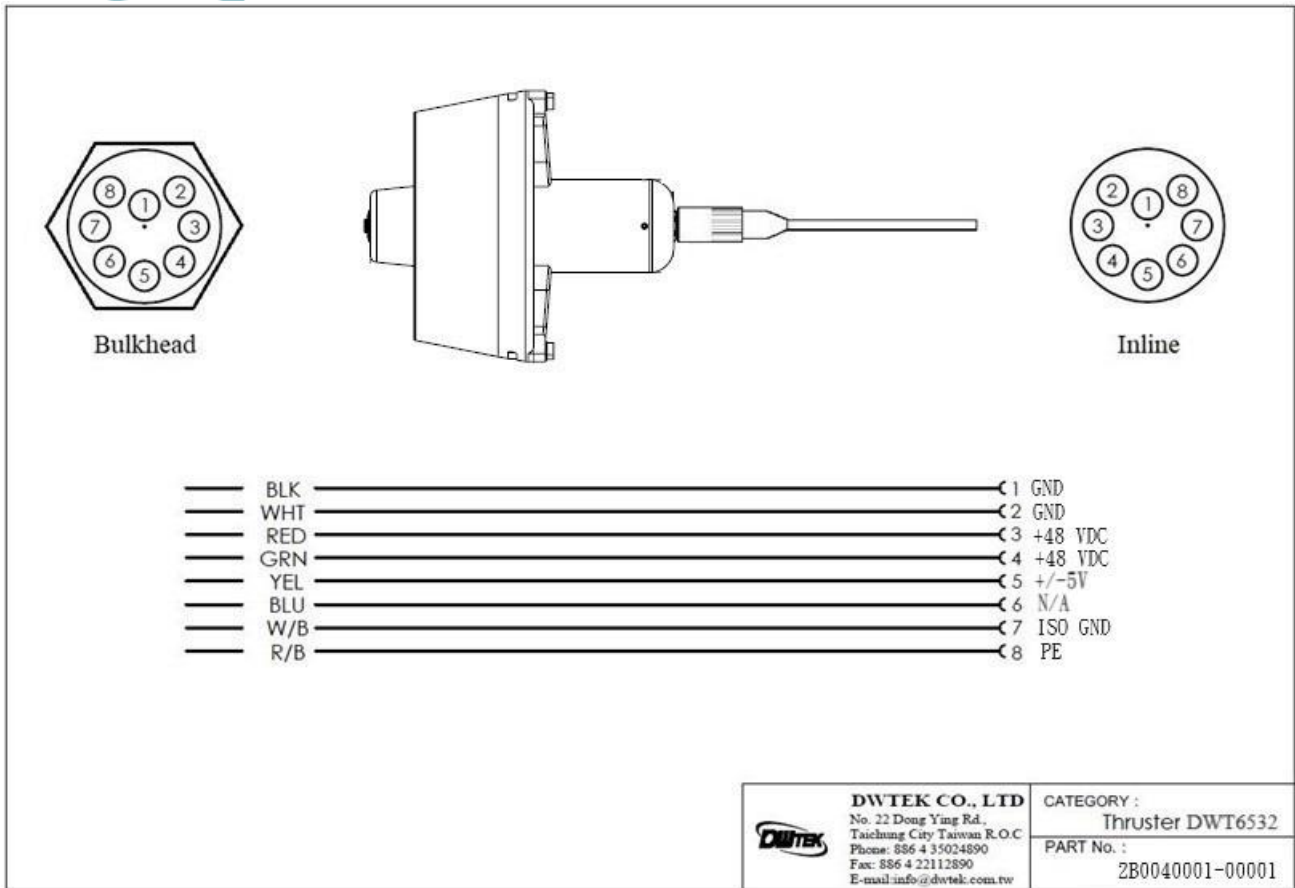


Figure 4 - DWT6532 Thruster Pin Assignment

Make sure all the connections are correct, and follow the instruction listed as below to power the thruster.

1. Connect Pin8 to the Protection Earth point
2. Deliver +48 VDC to Pin3&Pin4 and Pin1&Pin2
3. Deliver +/- 5V control signal to Pin5 and Pin7
4. Make sure +/- 5V control signal is set within +/- 0.2VDC
5. Adjust +/- 5V control signal to Pin5 and Pin7
6. Thruster should turn CW and CCW based on the apply voltage polarity

**Note!!**



1. **Control signal is set as 0 RPM within +/- 0.2VDC.**
2. **Always make sure to set the control signal within +/- 0.2VDC before powering on +48VDC to the thruster. Failure to do so would result in the thruster not being activated because of the safety startup procedure.**
3. **The WATT of DWT6532 at the maximum speed is about 500W±10%.**
4. **After the thruster powers on, DO NOT REMOVE the control +/- 5V, otherwise the speed will be abnormal.**

### 3.3 Maintenance and Removal

To remove the thruster, please follow below steps.

1. Disconnect the cable.
2. Install the protection dummy on the bulkhead connector

THRUSTER FIELD & DEPOT REPAIR PROCEDURES LISTED BELOW SHALL BE CARED.



**Warning!!**

**Make sure to switch off thruster power and auto-functions once the system is on the surface.**



**Caution!!**

**It recommends considering the replacement of the O-rings and resealing DWT6532 thruster as annual maintenance. DWTEK offers comprehensive annual inspection and maintenance service to guarantee reliability and performance.**



**Caution!!**

**The thruster is designed as a simple maintenance unit. After each dive, please always wash with fresh water.**

## 4 Trouble shooting

### 4.1 Thruster Trouble shooting

If thruster performed:

- I. RPM unsteady.
- II. Vibration.

please proceed the initial detection procedure which mainly caused by two type of cases as below:

- I. Power output.
- II. Consumption parts and determine the replacement.

### 4.2 Detection Procedure

1. Make sure the propeller is free of rotation and under safety and well protection.
2. Apply input voltage +48 VDC to Pin3&Pin4 and GND to Pin1&Pin2. It recommends using power supply with the current consumption indicator. The nominal current consumption is 0.04Amp +/- 0.02. If current consumption is out of the above range without loading, the control PCB need to be examined and replaced.
3. Measure the analog input +/- 5V with multimeter and make sure +/- 5V is connected to Pin5 and Pin7 ISO GND.
4. Make sure +/- 5V signal is within +/- 0.2V before delivering +48 VDC to thruster.
5. Use a current indicator to wire on the power supply in series before delivering +48 VDC.
6. Make sure current output is less than 0.1A when signal is 0V.



#### **Caution!!**

**If the current goes higher with short circuit, the power PCB need to be examined and replaced, please do not hesitate to contact DWTEK Co., Ltd.**



## 5 Maintenance

### 5.1 Nozzle

#### 5.1.1 General

Part No.	2D004-00002
Title	Nozzle
Service Check	Replace if damaged
Tool	1. 4mm Allen Key 2. Small flat screw driver

The nozzle is designed to improve the performance in water. Without the nozzle, there would be a drastic thrust reduction and control failure. Thruster can be tested in air but it recommends contacting DWTEK if doing enforced dummy load in the shaft of thruster.

The nozzle consists of a cast Nylon material that is high impact-resistant.

#### 5.1.2 Indications for Replacement

Please replace the nozzle if it damages to the point that it fouls the propeller.

#### 5.1.3 Removal the Nozzle from Thruster

1. Remove (6) Socket Head CAP Screw M5x20mm (P/N: 2P001-D1B2M5-08025) with 4mm Allen Key.
2. Remove (2) Wedges (P/N 2D004-00001) in the Nozzle with a small flat screw driver.

#### 5.1.4 Installation Procedures

1. Install (2) Wedges (P/N 2D004-00001) in the slots of the Nozzle. Make sure to align the hole in the Nozzle and the screw holes in the wedges.
2. Put (6) Socket Head CAP Screw M5x20mm (P/N: 2P001-D1B2M5-08025) into the Nozzle screw hole.
3. Secure screws with 4mm Allen Key(4.2NM).



#### **NOTE!!**

**If you have any further queries, please do not hesitate to contact DWTEK Co., Ltd.**



## 5.2 Propeller Assembly

### 5.2.1 General

Part No. :	2C004-00002
Title :	Rotating Propeller
Service Check :	Before and after each dive
Tool	1. Flat Screw Driver 2. Flat Nose Piler

### 5.2.2 Indications for Replacement

Replace it if significant wear or damage is apparent on the blades of the propeller.

### 5.2.3 Removal Procedures

1. Remove E-clip (P/N 2P001-AE228) from the stem of the Rotor Hull Module (P/N 2C004-00007) by using a small screwdriver.
2. Remove Stopper Washer (P/N 2D004-00003) and Disc Spring (2P006-JTEM-10) with well storage.
3. Remove Propeller Assembly by pulling from exhaust end of Nozzle.

### 5.2.4 Install Procedures

1. Lightly lubricate the Support Bearing (P/N 2D004-00007) with Silicone grease (Dow Corning DC-4 or equivalent).
2. Insert the new Propeller Assembly into the open end of the Nozzle Assembly. Be sure to guide the inner Hub Sleeve Bearing over the stem of the rotor hull.
3. If the blades of the new Propeller Assembly interfere with the internal diameter of the Nozzle, use a file or coarse sandpaper to remove material from the ends of the blades. Remove materials sufficiently so the Propeller Assembly can rotate without interference while keeping tip clearance less than 1mm. If there are any concerns, please contact manufacturer.
4. Install Stopper Washer (P/N 2D004-00003) and Disc Spring (2P006-JTEM-10) on the stem of the Rotor Hull Module (P/N 2C004-00007).
5. Install E-clip (P/N 2P001-AE228) on the stem of the Rotor Hull Module (P/N 2C004-00007). Make sure E-clip fully engaged with the groove in the stem of Rotor Hull Module.





Figure 5 - Correct Fitting Type



**Caution!!**

**Plastic disc washers act as elastic spaces to eliminate the gap and tolerances that appear during manufacturing or operation worn out.**



**Warning!!**

**Operator is only allowed to remove propeller assembly under power off condition.**



**NOTE!!**

**If you have any further queries, please do not hesitate to contact DWTEK Co., Ltd.**

## 5.3 Support Bearing

### 5.3.1 General

Part No. :	2D004-00007
Title :	Support Bearing
Service Check :	Before and after each dive
Tool	1. Flat Screw Driver 2. Plug Gauge

Support Bearing is made from special high-performance plastic and is characterized by low coefficient of friction and high wear-resistance designed for dry and wet applications. The Support Bearing is used to stabilize the Propeller Assembly over the Rotor Hull.

Support Bearing allows the operator to do the replacement in the filed under the safe condition.

### 5.3.2 Indications for Replacement

1. Replace if excessive radial gap between the Propeller Sleeve Bearing and the Propeller Assembly exceeds 0.3 mm.

### 5.3.3 Removal Procedures

1. Remove the Propeller Assembly per Section 5.2 listed above.
2. Slide and remove the Support Bearing from the Rotor Hull by hand.

### 5.3.4 Install Procedures

1. Lightly lubricate the new Support Bearing with Silicone grease (Dow Corning DC-4 or equivalent).
2. Slide the Propeller Sleeve Bearing over the Rotor Hull and press into the guide pin of the Mounting Fixer (P/N 2C004-00014).
3. Reinstall the Propeller Assembly per Section 5.2 listed above.

#### **NOTE!!**



**For the Support Bearing inspection, please regularly detect the gap by using Plug Gauge**

#### **NOTE!!**



**If you have any further queries, please do not hesitate to contact DWTEK Co., Ltd**

## 6 Appendix

### 6.1 Vacuum and Pressure Relief

All electronic components could generate heat and prohibit system operation with a vacuum condition. Pressure relief port can be used as a vacuum port for testing purpose.

Recommended vacuum test on the pod is -80kPa for a period of 30 to 60 minutes after disassemble and re-assembly. It should be released once the testing is complete. Filling in Nitrogen gas from the Nitrogen bottle with an adaptor would take out the moisture to prevent concentration.

**Warning!!**



- 1. Make sure that this process was carried out in a well-organized place.**
- 2. Check and clean the O-rings on pressure relief valve before installation. If they are damaged, please replace it with new one, and greased with Molykote 44 Medium.**



## 6.2 Spares and Tools

Table 5 - Spares list

Item No.	Part No.	Description	Qty
1	2P006-JTEM-10	Od20 x Id10.2 x 1.1t Disc Spring	2pcs
2	2P001-AE228	ETW-8 E-Clip	1pcs
3	2P002-SOR-S29N70	ID28.5 x W2 O-Ring	1pcs
4	2P001-D1B2M5-08025	SUS316 M5xP0.8x25 Socket Head CAP Screw	6pcs
5	2P001-D4N0M4-0706	PEEK M4*P0.7*6 Socket Grub Screw	4pcs
6	2P002-SOR-S55N70	ID54.5 x W2 O-Ring	1pcs

Table 6 - Tools list

Item No.	Part No.	Description	Qty
1	2P001-FLU5M5	M5 Allen Key	1pcs

### 6.3 Exploded View

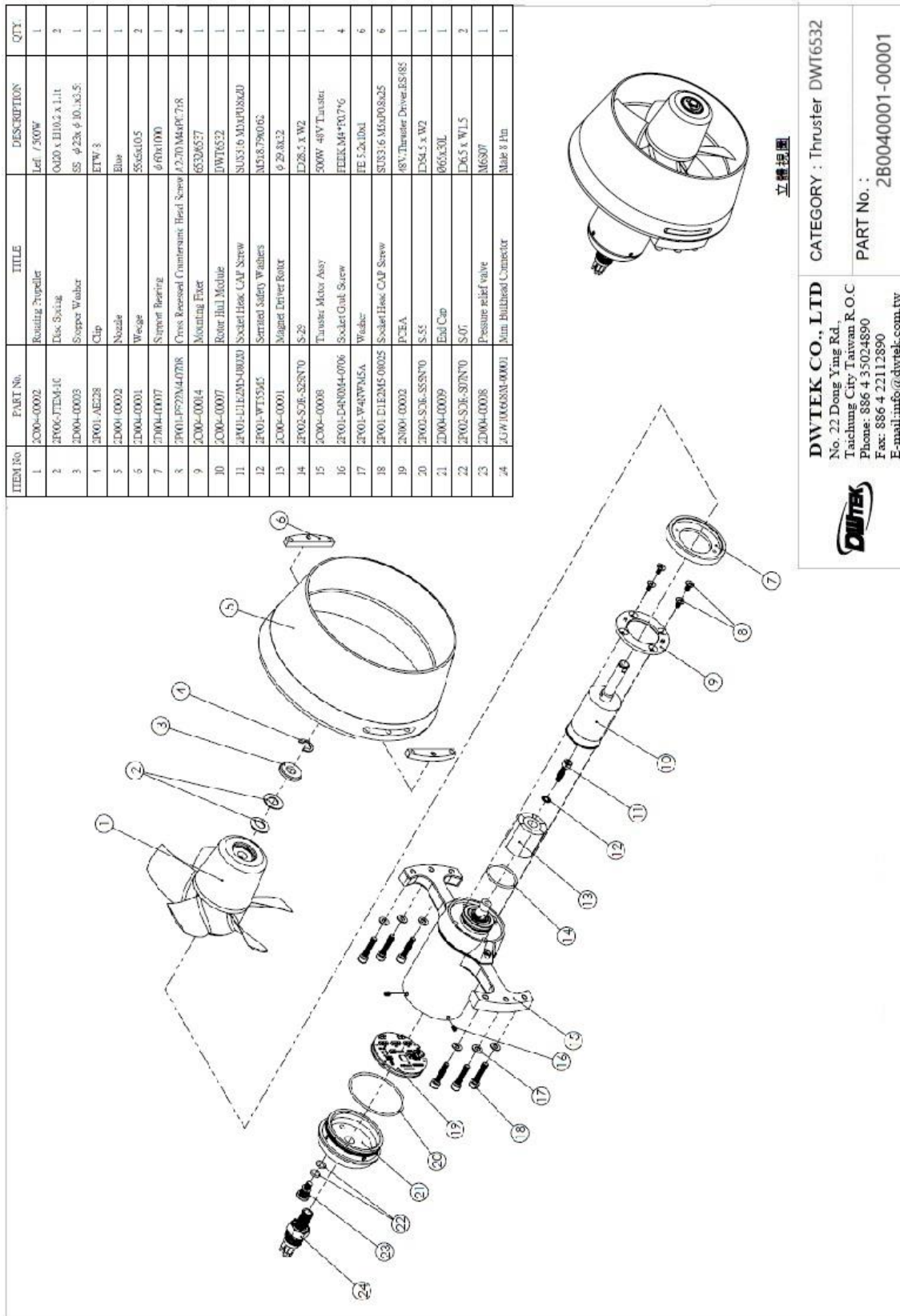
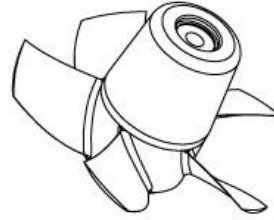
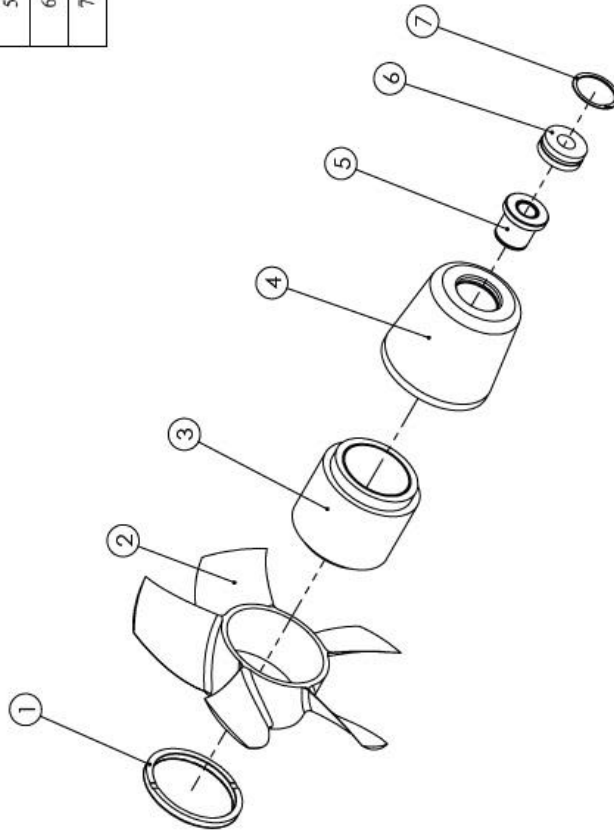


Figure 6 - DWT6532 Thruster (2B0040001-00001)

ITEM No.	PART No.	TITLE	DESCRIPTION	QTY.
1	2D004-00012	Rotator Ring		1
2	2D004-00011	Left Rotating Propeller	DWP65P150L	1
3	2C004-00003	Magnet Driver Hub	500W	1
4	2D004-00013	Propeller Hub		1
5	2C004-00004	Hub Bearing Module		1
6	2P007-BB-51100-B180-GL	Axial Grooved Ball Bearing	OD24xID10xH9	1
7	2D004-00014	Spiral retainer ring	ID21.6xOD25.4xW1.9x0.5f	1

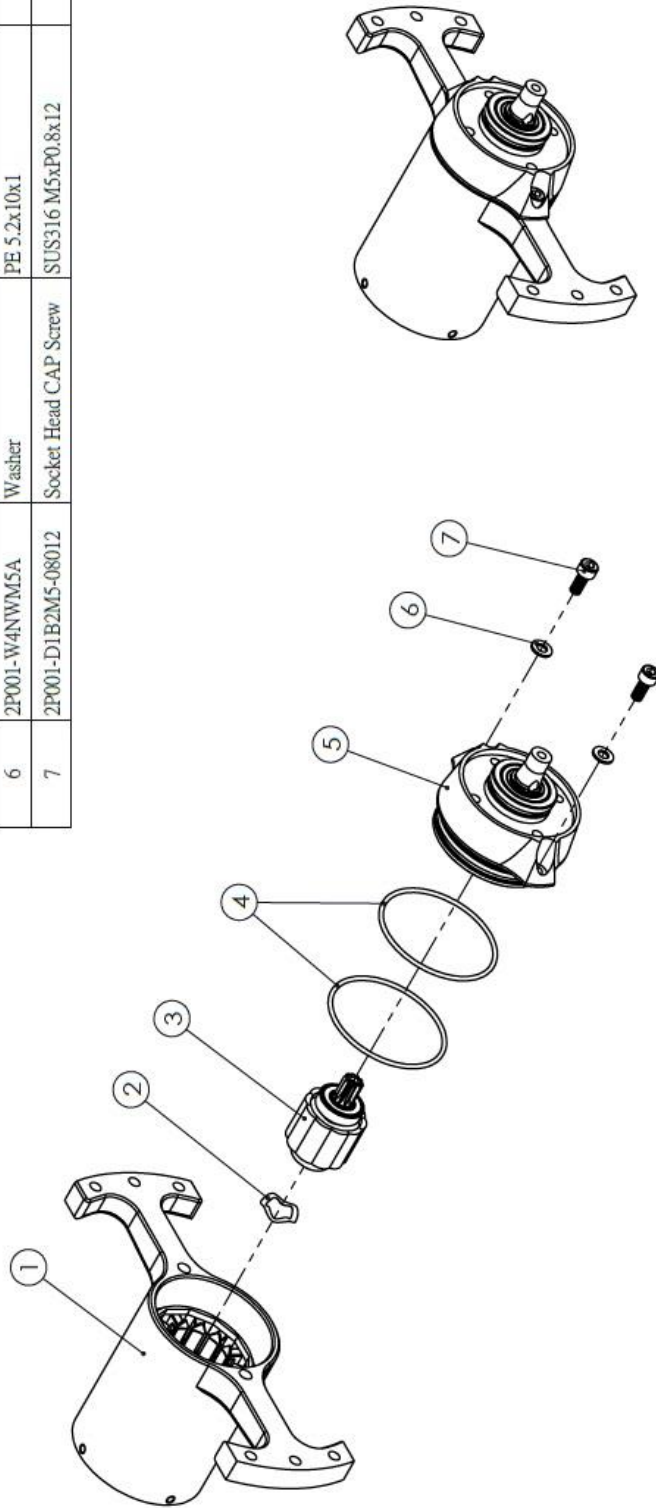


立體視圖

	<b>DWTEK CO., LTD</b> No. 22 Dong Ying Rd., Taichung City Taiwan R.O.C Phone: 886 4 35024890 Fax: 886 4 22112890 E-mail: info@dwtek.com.tw	CATEGORY : Rotating Propeller PART No. : 2C004-00002
--	---	---

Figure 7 - Rotating Propeller (2C004-00002)

ITEM No.	PART No.	TITLE	DESCRIPTION	QTY.
1	2C004-00020	Motor Assy	500W 48V	1
2	2P001-WW55626	Wave Washer	BWW-626 (12.7x18.1x0.2t)	1
3	2C004-00077	Rotor magnet + Bearing		1
4	2P002-SOR-S55N70	O Ring	ID54.5 x W2	2
5	2C004-00010	Shaft Reducer Assembly	w/ 500W thruster	1
6	2P001-W4NWMSA	Washer	PE 5.2x10x1	2
7	2P001-D1B2M5-08012	Socket Head CAP Screw	SUS316 M5xP0.8x12	2



立體視圖

**DWTEK CO., LTD**  
 No. 22 Dong Ying Rd.,  
 Taichung City Taiwan R.O.C  
 Phone: 886 4 35024890  
 Fax: 886 4 22112890  
 E-mail: info@dwtek.com.tw



CATEGORY :  
 Thruster Motor Assy  
 PART No. :  
 2C004-00008

Figure 8 - Thruster Motor Assy (2C004-00008)



The information contained in this document is subject to be modified and/or supplemented from time to time by DWTEK Co., Ltd without prior notice.

DWTEK Co., Ltd shall not be liable for any loss, errors or damage in connection with information in this document.

Copyright © 2023 DWTEK Co., Ltd. All rights reserved.