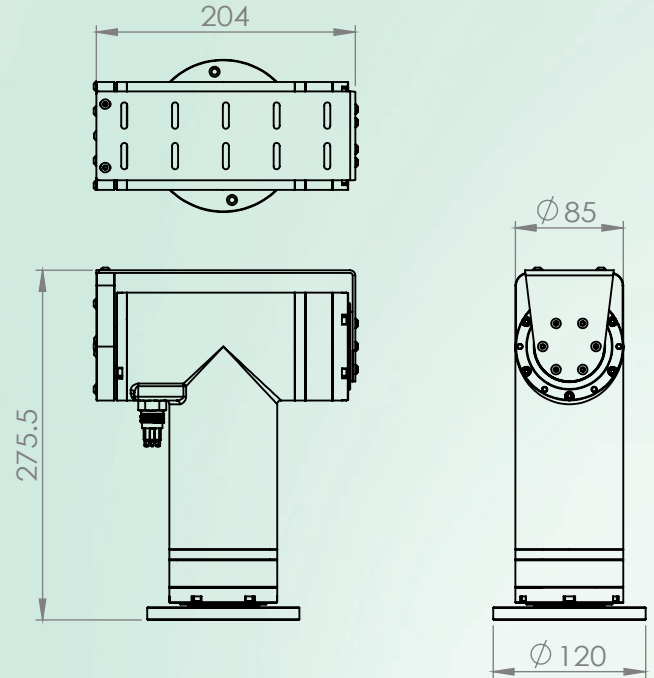


Pan Tilt Zoom (PTZ)

DWPT-4850C



Features

- ✓ The optimal platform for rotating subsea equipment, such as cameras, lightings, etc
- ✓ High torque (Max. 50Nm)
- ✓ Depth rating 1,000 and 3,000m
- ✓ Communication protocol: RS485, RS232
- ✓ Robust anodized 6061-T6 Aluminum or SUS316 Stainless
- ✓ One-year warranty

Specification

Torque	50Nm (max.)
Precision	0.1°
Speed	14 RPM (max.)
Payload	37.2kg (calculated with Center of Gravity at 5.4" from center of tilt axis)
Rated voltage	48 VDC +/-10%
Rating Current	5A
Rated wattage	240W
Communication	RS485/RS232
Dimension	Ø 85mm * 204mm * 275.5mm
Depth Rating	1,000M / 3000M(Optional)
Testing Depth	100 bar / 300bar(Optional)
Operation Temp.	-10°C ~ 50°C
Housing material	Hard Anodized 6061-T6 Aluminum SUS316 Stainless (Optional)
Connector	MCBH08M