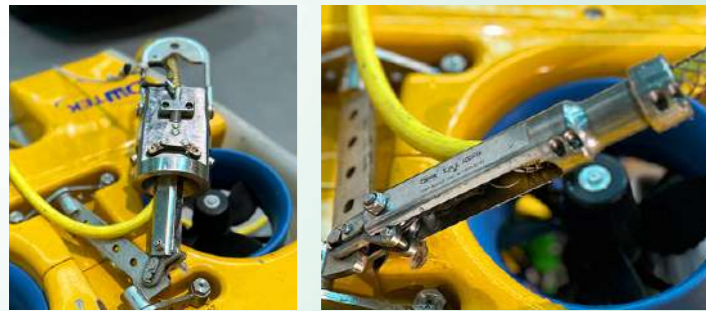


ROV Latch & Bullet

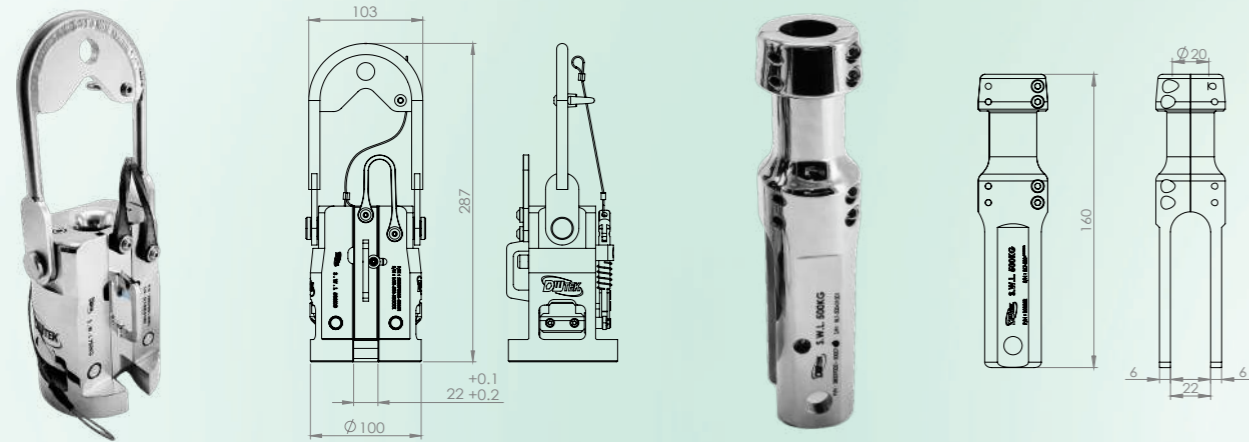
Every successful ROV launch and recovery owes a debt to both dedicated operators and indispensable tools like latch & bullet. DWTEK latch and bullet, is a set of tool meticulously engineered with a perfect connection and pairing point. Their unique swift-connect and swift-release design enable rapid deployment and recovery of ROV.



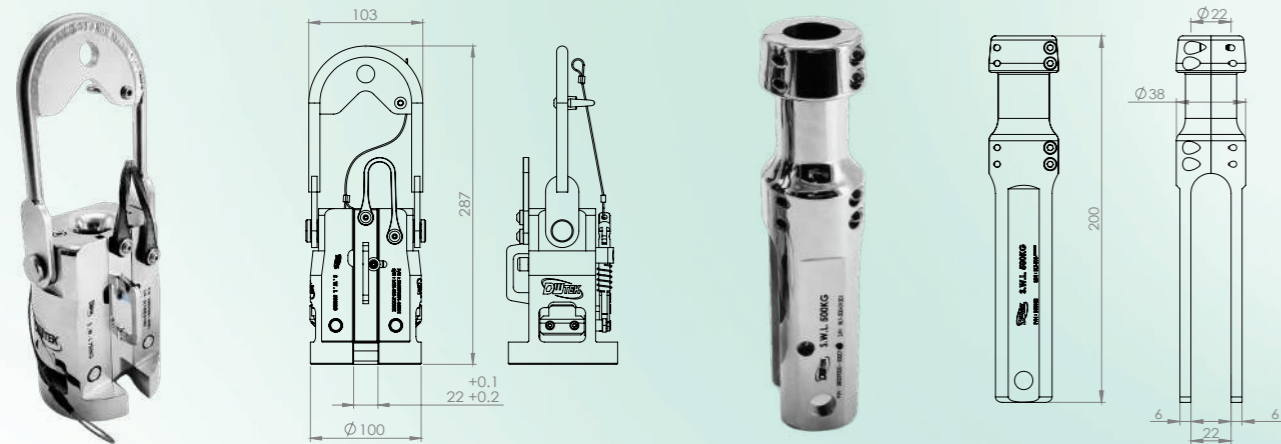
Features

- ✓ Light-weight
- ✓ Corrosion-resistant material
- ✓ Friendly umbilical attachment point
- ✓ Easy-gate design to allow removal of the tether

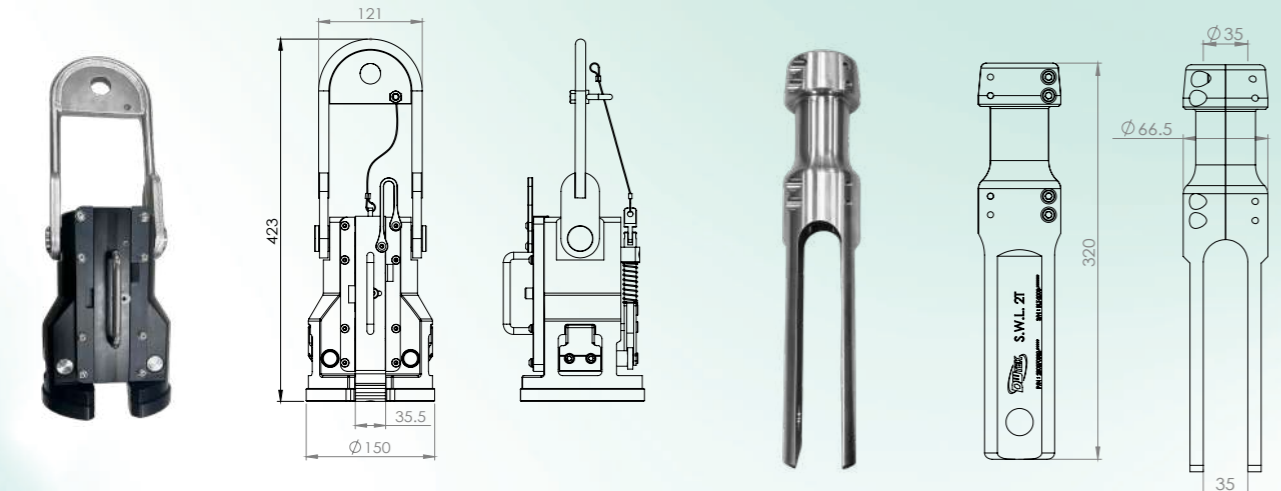
Option 1 (Bullet 20mm): DWLH-2005



Option 2 (Bullet 22mm): DWLH-2205



Option 3 (Bullet 35mm): DWLH-3520



Specification

※All product descriptions and specifications are subject to be changed without notice.

Image			
Model	DWLH-2005	DWLH-2205	DWLH-3520
Max. Cable Diameter	20 mm	22 mm	35 mm
Bullet Length	160 mm	200 mm	320 mm
Safe Working Load	0.5 ton		2 ton
Material	Latch: Stainless Steel Bullet: Stainless Steel		Latch: Hard Anodized 6061-T6 Aluminum Bullet: Stainless Steel
Weight in Air	5.5 kg		10kg



Video

https://youtu.be/iZ56gaLT_hE?si=RmMjUmd-nVvpAuob

