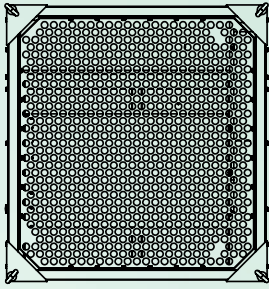


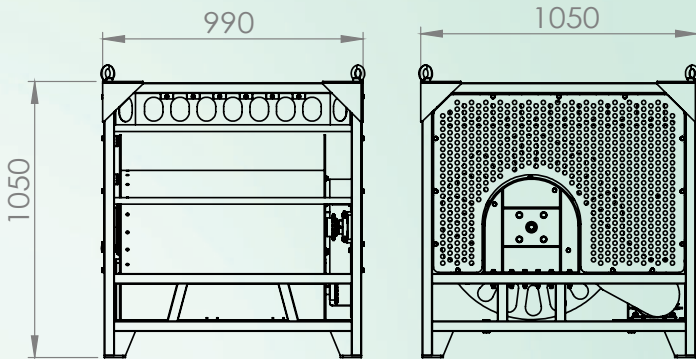
# Cable Reel DWCR-2250 (500M)



⚠ Tether is not included.

## Features

- ✓ Stainless-steel frame design
- ✓ Adjustable speed
- ✓ Slip ring upon request



## Specification

※ All product descriptions and specifications are subject to be changed without notice.

<b>Input Power</b>	AC 220 Single Phase @5A
<b>Weight</b>	300 ±10kg
<b>Diemension</b>	1050(L)X990(W)x1050(H) ±10cm
<b>Material</b>	Stainless steel
<b>Drum capability</b>	500 M x 17 mm
<b>Operating max speed (m/min)</b>	Adjustable Speed Control
<b>Motor</b>	DB1/2HP (0.4KW) - 4P - 28# with Reducer 1/30
<b>VFD</b>	DELTA VFD-M 0.75kW
<b>Connector</b>	SCBH5M